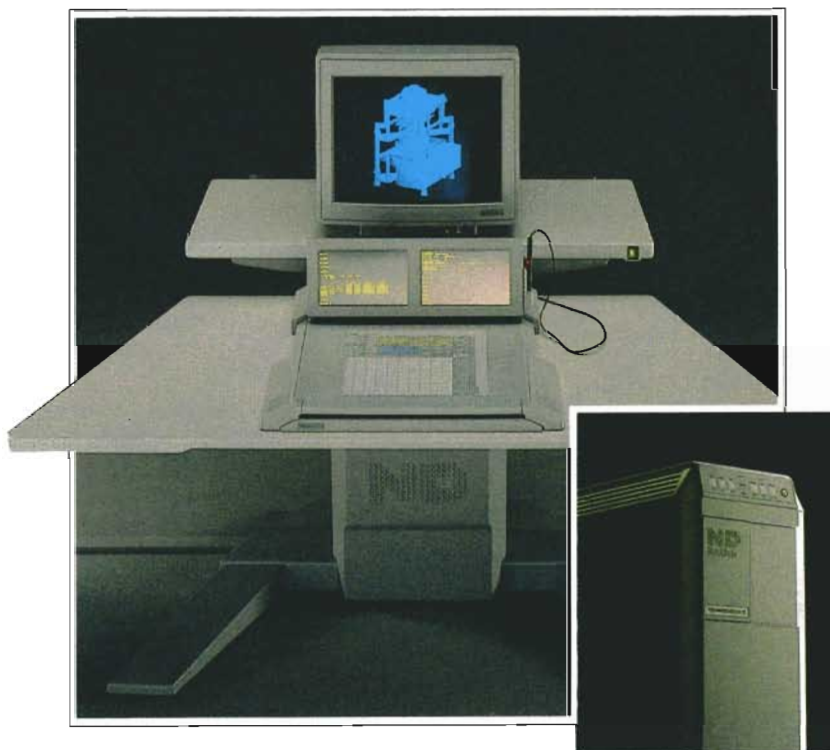


TECHNOVISION

TECHNOSTATION - CAD/CAM Workstation Family

Powerful CAD/CAM Platforms
with Exceptional Graphics Power



The Integrated Engineering Solution



High technology for the professional engineer

The new **TECHNOSTATION** series of powerful CAD/CAM workstations has been developed with the specific needs of the professional design engineer in mind. Based on Norsk Data's proven ND-5000 gate array technology, coupled with proprietary graphics hardware and unique ergonomics, **TECHNOSTATION** is a product to satisfy the engineer's demands for high-performance, workstation-based CAD/CAM systems.

Norsk Data's 32-bit super-minicomputer technology has now made it possible to provide the proven **TECHNOVISION** CAD/CAM solution in a compact workstation packaging. Drawing on the same hardware development expertise, Norsk Data's engineers have designed a graphics board customised to give maximum **TECHNOVISION** performance. This new technology, combined with Norsk Data's new **DOMINO** I/O architecture, innovative mechanical design and proven ergonomics, has resulted in a state-of-the-art workstation where all the components of previous solutions are now integrated into one single, exceptionally user-friendly unit.

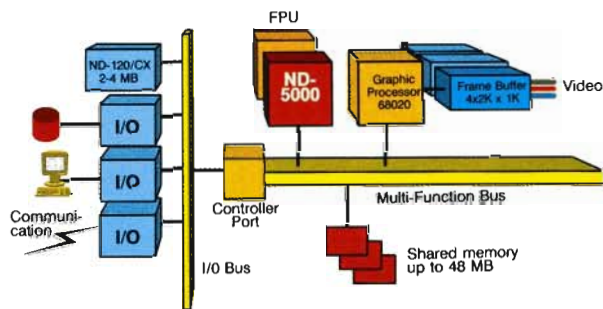
Product description

TECHNOSTATION comes in four models supporting one or two users and offering a choice of three different price/performance options. A full range of standard peripherals such as plotters is available, allowing **TECHNOSTATION** to run as a stand-alone unit. The high performance required of professional CAD/CAM applications is obtained through a parallel-processing architecture with dedicated high-speed system, I/O and graphic processors.

All models are fully compatible with Norsk Data's Systems Architecture for Expansion (ND-SAFE), allowing the system to grow as the customer's needs change. Full upgrading through the four models is possible. Naturally, **TECHNOSTATION** supports the full range of **TECHNOVISION** software and ND-COSMOS networking options.

TECHNOSTATION has the added advantage of being able to exploit the communications facilities furnished by **TECHNET**, the transparent networking concept specially developed for use with this top-of-the-range workstation.

TECHNET combines the functionality of ND-COSMOS with Norsk Data's SIBAS database management system, enabling users to access their drawings and other objects from anywhere in the network without needing to know where they are physically located.



Features and benefits

High performance

- Multi-CPU architecture (I/O, graphics and applications)
- Graphics tailor-made for **TECHNOVISION** via custom hardware
- Super-mini performance in all models
- Dedicated CPU power for each user

Environment

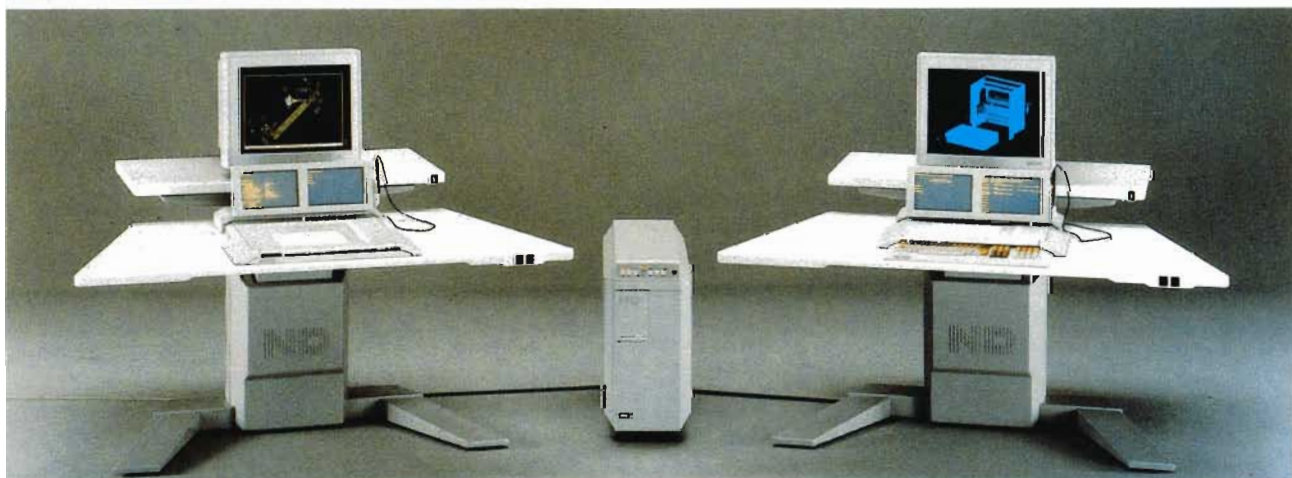
- Low noise level and power consumption
- Fully suitable for office use
- Ergonomically designed

Configuring

- Runs all **TECHNOVISION** software
- Supports one or two users
- Path for future growth through model upgrades
- Full networking capability
- Large disk capacity

Operating

- Familiar user interface
- Easy backup thanks to large streamer capacity
- Simple to install and operate



Technical Specifications

	Model 21 ND 9741	Model 51 ND 9742	Model 52 ND 9743	Model 72 ND 9744
SYSTEM CPU	32-bit CMOS gate array hardware 4-level pipeline system. 70 nsec cycle time			
Floating Point	μ-coded	64-bit custom VLSI		
Cache Memory				
Data	-	64	64	64
Instruction	-	320	320	320
Relative CPU perf.	1	4	4	7
RAM memory standard	4	4	8	8
maximum	48	48	48	48
I/O PROCESSOR	16-bit CMOS gate array hardware 51 nsec cycle time			
RAM memory standard	2	2	4	4
maximum	6	6	6	6
Disks standard	155 Mbyte	155 MByte	310 Mbyte	310 Mbyte
maximum	2 x 310 Mbyte	2 x 310 Mbyte	2 x 310 Mbyte	2 x 310 Mbyte
Streamer	155 Mbyte	155 MByte	155 Mbyte	155 Mbyte
Floppy	1.2 Mbyte	1.2 Mbyte	1.2 Mbyte	1.2 Mbyte
GRAPHIC PROCESSOR	16.5 MHz MC68020 20 MHz VLSI Vector Processor 2 Mbyte Memory		Two-user models have a second graphic processor set, monitor and operation unit.	
Performance	100 000 vectors/second			
Display Planes	2048 x 1024			
Resolution	1280 x 1024			
Refresh Rate	60 Hz non-interlaced			
No. of colours (max)	256 colours from 16 million			
No. of colours (standard)	16 colours			
COLOUR MONITOR	19" Superfine pitch Trinitron display Extreme flat cylindrical face Short persistence phosphor 110 MHz bandwidth			
OPERATION UNIT	300mm square active area. 0.05 mm resolution			
Tablet	640 x 400 resolution electroluminescent flat screens			
Dialogue Display (2)	swivel adjustable 0 +/- 15 deg			
Keyboard	Programmable keys, NOTIS-compatible			
EXTERNAL CONNECTIONS	4 RS232C Serial ports X.21/X.25 Connector Ethernet/Megalink/HDLC options SCSI Connector for External Magnetic Tape			
ENVIRONMENTAL	220V +/- 10% with battery backup			
Power Supply	Computer cabinet: 600W			
Power Consumption	10% to 90% non condensing			
Env. Humidity	10° to 28° C.			
Env. Temperature	42 dBA			
Noise Level				
DIMENSIONS	Height	Width	Depth	Weight
Monitor	446 mm	480 mm	535 mm	36 kg
Operation Unit	225 mm	620 mm	645 mm	14 kg
Computer cabinet	640 mm	300 mm	790 mm	40 kg

CORPORATE HEADQUARTERS

Olaf Helsetts vei 5
P.O.Box 25, Bogerud
N-0621 Oslo 6

Norway
Tel.: +47-2-628000
+47-2-627500

Tlx.: 0066-78284 nd n
Telefax: 47-2-296796 (A)
Manufacturing:
Telefax: 47-2-282494 (A)

NORWAY

Olaf Helsetts vei 6
P.O.Box 70, Bogerud
N-0621 Oslo 6
Tel.: +47-2-628000
Tlx.: 78 661 nd n
Telefax: 47-2-828001 (A)

Bergen, tel.: +47-5-288000
Porsgrunn, tel.: +47-35-59300
Sandnes, tel.: +47-4-625200
Tromsø, tel.: +47-83-71766
Trondheim, tel.: +47-7-921222

Corporate Marketing CAD/CAM TECHNOVISION

Solinger Straße 10
D-4330 Mülheim a.d.Ruhr
Tel.: +49-208-4844-1
Tlx.: 0041-856581 nd mhd
Telefax: +49-208-483560

ND COMTEC

Olaf Helsetts vei 6
P.O.Box 70, Bogerud
N-0621 Oslo 6
Norway
Tel.: +47-2-628000
Tlx.: 0066-78661 nd n
Telefax: 47-2-628001 (A)

Sweden, tel.: +46-760-98850
Denmark, tel.: +45-9-157440
United Kingdom, tel.: +44-635-35544
West Germany, tel.: +49-211-681344
Austria, tel.: +43-2266-5335
The Netherlands, tel.: +31-3402-72411
Switzerland, tel.: +41-1-810-1033
USA, tel.: +1-316-6810550

ND INTERNATIONAL OPERATIONS

Olaf Helsetts vei 6
P.O.Box 70, Bogerud
N-0621 Oslo 6
Norway
Tel.: +47-2-628000
Tlx.: 0066-79570 nd n
Telefax: +47-2-628001 (A)

SWEDEN

ND Norsk Data AB
Kanalvägen 1 A
P.O.Box 721
S-194 27 Upplands Väsby
Tel.: +46-760-98400
Tlx.: 0064-15255 nordata s
Telefax: +46-760-86297 (A)
Gothenburg, tel.: +46-31-496760
Luleå, tel.: +46-920-68055
Malmö, tel.: +46-40-70510

ND-SILVIDATA SWEDEN

851 83 Sundsvall
Sweden
Tel.: +46-60-154150
Växjö, tel.: +46-470-18500

DENMARK

Norsk Data A.S
Lautruphøj 1-3
P.O.Box 232
DK-2750 Ballerup
Tel.: +45-2-685055
Tlx.: 0065-35567 nd dk
Telefax: +45-2-689614 (A)
Copenhagen, tel.: +45-2-681200
Odense, tel.: +45-9-157440
Århus, tel.: +45-6-161166
Aalborg, tel.: +45-8-189009

FINLAND

Oy Norsk Data Ab
Pukimäenaukio 2
Box 45
SF-00721 Helsinki
Tel.: +358-0-358811
Tlx.: 0057-124242 ndfin
Telefax: +358-0-3454662 (A)
Service: +358-0-358944
Oulu, tel.: +358-81-227002

UNITED KINGDOM

Norsk Data Ltd.
Benham Valence
Newbury,
Berkshire RG16 8LU
United Kingdom
Tel.: +44-635-35544
Tlx.: 0051-849819 norskd g
Telefax: +44-635-34005/33647 (A)
London, tel.: +44-1-387-0922
Warrington, tel.: +44-925-823880
Edinburgh, tel.: +44-31-558-1661
Birmingham, tel.: +44-21-707-5230
Gosforth, tel.: +44-632-842213
Leeds, tel.: +44-532-444-141
Hertford, tel.: +44-992-552781
Wordplex Computer Supplies,
tel.: +44-734-502662

WEST GERMANY

Norsk Data GmbH
Thomasstrasse 10-12
6380 Bad Homburg v.d.H.
West Germany
Tel.: +49-6172-4080
Tlx.: 0041-4175053 nd d
Telefax: 49-6172-22930 (A)
Berlin, tel.: +49-30-882-7317
Hamburg, tel.: +49-40-227022-0
Hannover, tel.: +49-511-56006-0
Mülheim, tel.: +49-208-4844-1
Munich, tel.: +49-89-92 8007-0
Münster, tel.: +49-251-71028
Stuttgart, tel.: +49-711-79968-0

BELGIUM

Wordplex Belgium S.A.
Excelsiorlaan 23
1990 Brussels
Belgium
Tel.: +32-2-7251560
Tlx.: 0046-25080 wpx bel
Telefax: 032-2-7210981

FRANCE

Norsk Data Paris
32 Rue Grange-Dame-Rose
Z.I. De Velizy
92360 Meudon-La-Forêt
France
Tel.: +33-1-45371200
Tlx.: 632 636 nd paris
Telefax: +33-1-45370060

IRELAND

Norsk Data Ireland Ltd. A.S
IDA Industrial Estate, Santry Avenue
Dublin 9,
Ireland
Tel.: +353-1-427244
Tlx.: 00600-33648 ndil ei
Telefax: +353-1-427182

LUXEMBOURG

Wordplex Luxembourg
Rue de l'Industrie No.5
1811 Luxembourg
Tel.: +352-496167/8/9
Tlx.: 0420-3324 wpx lu

THE NETHERLANDS

Norsk Data Nederland B.V
Brugwal 5
P.O.Box 500,
3430 AM Nieuwegein
The Netherlands
Tel.: +31-3402-72411
Tlx.: 0044-40940 nd nl
Telefax: +31-3402 72400

SPAIN

Norsk Data - Wordplex España S.A.
Paseo de Gracia 50
08007 Barcelona
Spain
Tel.: +34-3-2152287 +
Tlx.: 0062-98220 awp e
Telefax: +34-3-2152287
Bilbao, tel.: +34-94-447 45 50
Madrid, tel.: +34-91-431 72 29
Valencia, tel.: +34-96-373 73 18

SWITZERLAND

Norsk Data (Switzerland) S.A
Chemin du Viaduc 12
CH-1008 Prilly-Lausanne
Switzerland
Tel.: +41-21-250122
Tlx.: 460 218 ndl ch
Telefax: +41-21-255594 (A)
Geneva, tel.: +41-22-989100
Glattbrugg (Zürich), tel.: +41-1-8101033

AUSTRALIA

Wordplex Australia Pty. Ltd.
Unit A, 5 Skyline Place
Frenchs Forest (Sydney)
New South Wales 2086
Australia
Tel.: +61-2-9751333
Tlx.: 0071-75666 wpxaus aa
Telefax: +61-2-9751080
Adelaide, tel.: +61-8-3327777
Brisbane, tel.: +61-7-3717355
Canberra, tel.: +61-62-516955
North Sydney, tel.: +61-2-9232888
Melbourne, tel.: +61-3-2674933
Perth, tel.: +61-9-4702020

HONG KONG

Norsk Data International
1902 Wing on Centre
111 Connaught Road
Hong Kong
Tel.: +852-5-411912/412053
Tlx.: 00230-921740 norsk well
Telefax: +852-5-8151095

USA

Norsk Data N.A., Inc.
Westborough Office Park
1800 West Park Drive, Suite 150
Westborough
MA 01581
USA
Tel.: +1-617-366-4662
Tlx.: 00230-921740 norsk well
Telefax: +1-617-366-0306 (A)

AGENTS AND DISTRIBUTORS IN:**FRANCE**

Matra Datasystème S.A. Paris
Tel.: +33-13-0589800
Tlx.: 0042-659039 matdata f

ICELAND

Norsk Data Iceland
Tel.: +354-1-673711
Tlx.: 0051-946240 cweasy g.
ref. no. 19011685

INDIA

Norsk Data India Pty. Ltd.
Tel.: +9144-419217/419126
Tlx.: 0081-417892 ndil in
-417620 carb in

PAKISTAN

Norsk Data Pakistan (P) Ltd.
Tel.: +92-51-851446
Tlx.: 0062-54234 nd pk

THAILAND

Norsk Data Thai Ltd.
Tel.: +66-2-253-9882/4
Tlx.: 0066-20681 ndscan th
Telefax: +66-2-253-9884

